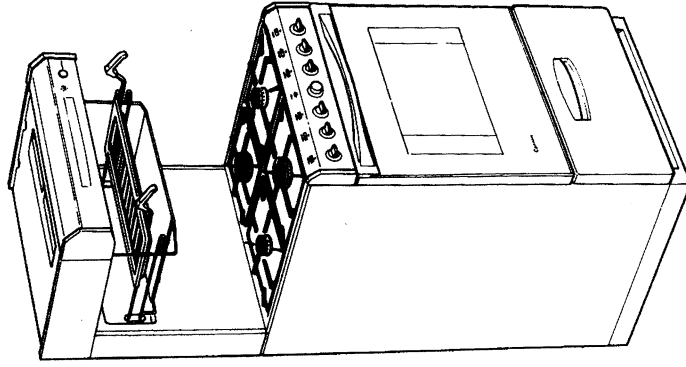


Our policy is one of continual improvement in design and development, therefore strict accuracy of illustrations and descriptions cannot be guaranteed.

# Cannon

## WINCHESTER DELUXE MK 2



### Installation and Maintenance Instructions

Leave these instructions with the user.

The Data Badge is located on the top L.H. side of the Base Electrics Tray.

A Serial No. is located on the L.H. side of Oven behind the seal, viewed when door is open.

A Natural Gas Appliance.

G.C. Appliance Nos. 11 132 92 (Brown)  
11 132 93 (White)

Part No. 910100076

# Cannon

THE FIRST NAME IN GAS

*Cannon Industries Limited,  
PO Box 446, Grindley Lane, Blythe Bridge,  
Stoke-on-Trent ST11 9LU.*



---

# CONTENTS

---

	PAGE
<b>CONTENTS</b>	
<b>Installation</b>	
Installation Instructions	2
Technical Data	4
Space for Fitting	5
Unpacking and Assembly	6
Gas Connection	11
Electrical Connection	12
Commissioning the Cooker	13
<b>Maintenance</b>	
Side Panels & Hotplate Fascia	14
Hotplate & Controls	15
Hotplate Fascia Switches	16
Grill Carrier	17
Grill Fascia Assembly	18
Grill Assembly & Splashback	19
Oven Door	20
Oven Burner & F.S.D.	21
Electrical	22
Injectors	23
Electrodes & Oven Linings	24
Wiring Diagram	25
Circuit Diagram	26
Fault Finding	27
Short Spares	33

# INSTALLATION INSTRUCTIONS

This appliance has been tested and certified to British Standard BS5386, Part 3, 1980 and carries the British Standard Kitemark.

The appliance is set to burn NATURAL GAS ONLY and cannot be used on any other gas. The appliance must be installed in accordance with the manufacturer's instructions and there after regularly serviced and maintained to ensure its continued safe and efficient operation.

The appliance must also be installed, serviced and repaired in accordance with the following legislation.

The Gas Safety (Installation and Use) Regulations 1984 and the Gas Safety (Installation and Use) (Amendment) Regulations 1990.

These regulations specify as a mandatory requirement, that only competent persons shall carry out such work. Such a competent person must be a member of the registration body for gas installers, CORGI, approved by the Health and Safety Executive.

The Health and Safety Electricity at Work Regulations 1989: These regulations similarly specify that only competent persons shall be engaged in the electrical installation, servicing or repair of the appliance.

The Gas Cooking Appliances (Safety) Regulations 1989.

The Building Regulations 1985.

The Building Standards (Scotland) Regulations 1981.

The appliance must also be installed according to BS6172: 1990 - Specification for Installation of Domestic Gas Cooking Appliances (1st, 2nd & 3rd family gases) from which the following information is extracted. However, the installer must comply with ALL the requirements of BS6172.

Ventilation for the room containing the appliance shall comply with BS5440: Part 2 1989.

The room containing the appliance must contain an openable window or an acceptable alternative such as an adjustable louvre or hinged panel opening direct to outside air. If the room containing the appliance has a volume less than 5m<sup>3</sup> it must have an air vent having a minimum permanent opening free area of 100cm<sup>2</sup>. If the room containing the appliance has a volume between 5m<sup>3</sup> and 10m<sup>3</sup> it must have an air vent having a minimum permanent opening free area of 50cm<sup>2</sup>, but if the room contains a door which opens directly to outside, no permanent opening is required in this case.

# SHORT SPARES

CANNON WINCHESTER MK 2 – WHITE G.C. APPLIANCE No. 11 132 93

Key No.	GC No.	Part No.	Description	Qty.
1	043 004	21827	Grill Cover Side Panel	2
2	043 005	22374	Grill Cover Top	1
3	042 593	20631	Fluorescent Tube	1
4	044 042	29769	Grill Light Switches	1
5	043 001	22641	Grill Fascia Upper	1
6	043 000	22162	Grill Fascia End Cap RH	1
7	042 999	22161	Grill Fascia End Cap LH	1
8	043 013	22642	Grill Fascia Lower	1
9	042 592	20533	Illumination Window	1
10	044 044	29773	Grill Fascia Glass	1
11	044 484	6600207	Burner Cap Disc (Small)	2
12	044 485	6600208	Burner Cap Disc (Large)	2
13	044 369	30199	Pan Support	4
14	042 983	21793	Side Panel	2
15	042 994	22160	Hotplate Fascia Endcap RH	1
16	042 993	22159	Hotplate Fascia Endcap LH	1
17	044 046	29775	Hotplate Fascia Panel	1
18	041 360	14215	O' Ring	6
19	378 482	28844	Hotplate Control Tap Semi Rapide	2
20	378 481	28845	Hotplate Control Tap Rapide	2
21	378 424	29275	Thermostat Diamond H 1100-104/B1	1
22	378 439	29771	Ignition Switch	1
23	384 297	14834	Grill Control Tap	1
24	044 048	28842	Control Knob	6
25	043 018	22499	Spring – Control Knob	6
26	044 050	28837	Shroud – Hotplate/Grill Knob	5
27	044 052	28840	Shroud – Thermostat Knob	1
28	044 054	28900	Shroud – Ignition Switch	1
29	384 810	14664	Grill Electrode	1
30	378 448	22940	Hotplate Electrode	4
31	393 472	11745	Oven Electrode	1
32	382 815	13763	Spark Generator Turnright GL319	1
33	395 759	13763	Spark Generator Apco MG 7424	1
34	381 921	20829	Starter	1
35	381 922	20632	Choke	1
36	378 425	29277	F.S.D. Diamond H GSD 100-36	1
37	044 480	6600205	F.S.D. Teddington CLH 600N	1
38	044 056	28831	Oven Door Handle	1
39	044 058	28829	Outer Door Glass	1
40	044 059	29083	Oven Door Inner Panel	1
41	042 922	22606	Inner Door Glass & Seal	1
42	044 060	29081	Clamp Washer	4
43	044 427	30499	Oven Door Seal	1
44	044 062	29246	Oven Bulb	1
45	044 065	28880	Storage Drawer Outer Panel	1
46	044 067	28833	Storage Drawer Handle	1
47	042 898	25310	Plinth Front Panel	1
48	044 069	28863	Hotplate Top	1
49	044 489	6600214	Splash Back Side Trim	2
49	043 006	22376	Splash Back	1
49	044 477	6600202	Plate Rack Pack (optional extra).	1

# INSTALLATION INSTRUCTIONS

If the room containing the appliance has a volume greater than 11 m<sup>3</sup>, no permanent opening is required.

If the room contains more than one gas appliance, or if additional mechanical ventilation such as an extractor fan is fitted, the appropriate requirements of BS6172 and of the Building Regulations should be referred to.

The appliance must not be installed in a bathroom or shower room.

The appliance must not be installed in a bed sitting room of volume less than 20m<sup>3</sup>.

Gas installation pipework up to the termination point at the appliance location must comply with BS6891, and the connection of the appliance to the termination point must be by means of an appliance flexible connector for use with a self sealing plug-in device, complying with BS6669.

The appliance must be used in conjunction with a suitable stability device firmly fixed to the fabric of the building to prevent the appliance from tipping forwards if wrongly used.

The appliance must be sited on a stable base with an adequate level surface in front of the appliance to allow it to be moved forward sufficiently for disconnection, and the appliance levelled with the adjustments provided so that the oven shelves are level.

The appliance must be sited and installed in accordance with the manufacturer's instructions with particular regard to clearances specified for adjacent or overhead cabinets or surfaces. The proximity of the appliance to combustible furnishings such as curtains and in areas susceptible to draughts should be avoided.

The appliance installation must be checked for leaks and the appliance operated to ensure all burners and controls function correctly, as given in the User's instructions.

Remember it is the law that gas appliances are installed only by competent persons. Failure to install appliances correctly could invalidate the warranty liability claims, and could lead to prosecution. It is in your own interest, and especially that of safety, to ensure that the law is complied with.

# SHORT SPARES

CANNON WINCHESTER MK 2 – BROWN G.C. APPLIANCE No. 11 132 92

Key No.	GC No.	Part No.	Description	Qty.
1	043 972	21827	Grill Cover Side Panel	2
2	042 973	22375	Grill Cover Top	1
3	042 593	20631	Fluorescent Tube	1
4	044 041	29768	Grill Light Switches	1
5	042 968	22304	Grill Fascia Upper	1
6	042 967	22285	Grill Fascia End Cap RH	1
7	042 966	22284	Grill Fascia End Cap LH	1
8	042 964	22305	Grill Fascia Lower	1
9	042 592	20533	Illumination Window	1
10	044 043	29772	Grill Fascia Glass	1
11	044 484	6600207	Burner Cap Disc (Small)	2
12	044 485	6600208	Burner Cap Disc (Large)	2
13	044 369	30199	Pan Support	4
14	042 904	21959	Side Panel	2
15	042 948	22292	Hotplate Fascia Endcap RH	1
16	042 947	22291	Hotplate Fascia Endcap LH	1
17	044 045	29774	Hotplate Fascia Panel	1
18	041 360	14215	O' Ring	6
19	378 482	28844	Hotplate Control Tap Semi Rapide	2
20	378 481	28845	Hotplate Control Tap Rapide	2
21	378 424	29275	Thermostat Diamond H 1100-104/B1	1
22	378 440	29770	Ignition Switch	1
23	384 297	14834	Grill Control Tap	1
24	044 047	28843	Control Knob	6
25	043 018	22499	Spring – Control Knob	6
26	044 049	28838	Shroud – Hotplate/Grill Knob	5
27	044 051	28841	Shroud – Thermostat Knob	1
28	044 053	28901	Shroud – Ignition Switch	1
29	384 810	14664	Grill Electrode	1
30	378 448	22940	Hotplate Electrode	4
31	393 472	11745	Oven Electrode	1
32	382 815	13763	Spark Generator Turnright GL319	1
33	395 759	13763	Spark Generator Apco MG 7424	1
34	381 921	20829	Starter	1
35	381 922	20632	Choke	1
36	378 425	29277	F.S.D. Diamond H GSD 100-36	1
37	044 480	6600205	F.S.D. Teddington CLH 600N	1
38	044 055	28832	Oven Door Handle	1
39	044 057	28830	Oven Door Glass	1
40	044 059	29083	Oven Door Inner Panel	1
41	042 922	22606	Inner Door Glass & Seal	1
42	044 060	29081	Clamp Washer	4
43	044 427	30499	Oven Door Seal	1
44	044 062	29246	Oven Bulb	1
45	044 064	28881	Storage Drawer Outer Panel	1
46	044 066	28834	Storage Drawer Handle	1
47	042 898	25310	Plinth Front Panel	1
48	044 068	28864	Hotplate Top	1
49	044 490	6600215	Splash Back Side Trim	2
	042 974	22377	Splash Back	1
	044 477	6600202	Plate Rack Pack (optional extra).	1

# TECHNICAL DATA

## Dimensions:

Height 1465mm (57<sup>1</sup>/<sub>2</sub>" )  
 Width 535mm (21<sup>1</sup>/<sub>10</sub>" )  
 Depth 600mm (23<sup>3</sup>/<sub>5</sub>" ) Excluding Handles  
 Height to Hotplate 901mm (35<sup>1</sup>/<sub>2</sub>" )

## General Data:

Pressure Setting Not adjustable 20 mbar (8" wg)  
 Pressure Test Point Grill Injector  
 Gas Rate Adjustment Fixed  
 Aeration Adjustment Fixed  
 Ignition (All Burners) Spark Generator

## Grill:

Burner Mixing tube and burner body formed from steel pressing.  
 Heat input 4.8 kW (16,400 Btu/h)  
 Injector size 170  
 Electrode BGC 5  
 Spark gap 3 – 4mm

## Hotplate:

Hotplate Burners 4 aluminium alloy die-cast burner bodies with removable aluminium burner rings and enamelled discs.  
 Heat Input LH front & RH rear 2.90kW (9895 Btu/h)  
 Injector Sizes RH front & LH rear 1.60kW (5460 Btu/h)  
 Spark Gap LH front & RH rear 145  
 LH front & LH rear 105  
 RH front & RH rear 1.2 – 2.3mm  
 RH front & LH rear 1.4 – 2.5mm

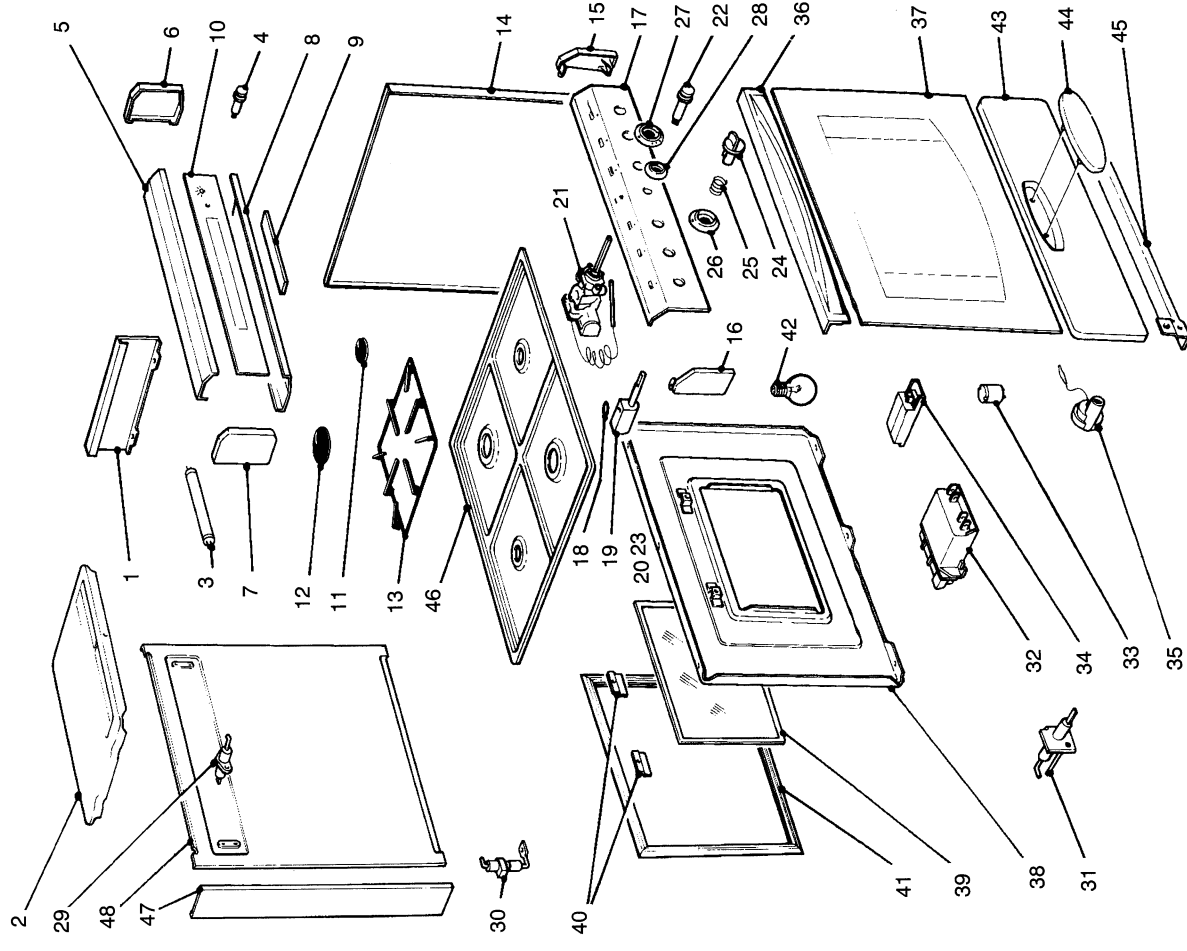
## Oven:

Burner Mixing tube & burner body formed from two steel pressings. Multi-hole flame strip  
 Heat input 2.5 kW (8,530 Btu/h)  
 Injector size 115  
 Electrode BGC 13  
 Flame Supervision Diamond H GSD 100-36  
 device Teddington CEH 600N  
 F.S.D. by-pass Fixed  
 Thermostat Diamond H 1100-104/B1  
 Thermostat by-pass B5  
 Spark gap 3 – 4mm

## Connections:

Gas Rp<sup>1</sup>/<sub>2</sub> (1/2" B.S.P. Female)  
 Electric Flexible cord at rear (right hand side).  
 Heat resisting PVC 85°C, 0.75mm<sup>2</sup>  
 (24 strands 0.2mm dia) outside dia.  
 6.6mm - 7.6mm 240V 50Hz 3A Fuse

# SHORT SPARES



49 = PLATE RACK (OPTIONAL EXTRA)

# FAULT FINDING

## COMPONENT RESISTANCE TABLE

All measurements taken with a Fluke 8024B Multimeter and each component totally isolated from the circuit.

COMPONENT	RESISTANCE	COMMENTS
240V Oven Lamp 40W	Approx 110 ohms	Would fail to open circuit
SWITCHES Grill Lamp Oven Ignition Ignition	Infinity to zero Infinity to zero Infinity to zero	Latching action ON/OFF Rotary ON/OFF Momentary push action
SPARK GENERATOR Turnright GL319 H.T. Coils	Approx. 500 ohms	Terminals are diagonally opposite. Measure coil side of gap on re-ignition terminals. The measurement is taken on the secondary of a step up transformer therefore does not prove the primary
REIG 1 W.R.T.N REIG 2 W.R.T.N IGN W.R.T.N	Approx 57k ohms Approx 57k ohms Approx 274k ohms	Resistance looking into a complex circuit.
APCO H.T. COILS OV W.R.T.N H W.R.T.N	Approx. 350 ohms Approx. 270 ohms Approx. 270 ohms	As Turnright above
BALLAST 8W (CHOKE)	Approx. 200 ohms	D.C. Resistance of coil
STARTER	Infinity	Capacitor and Neon connected in parallel
FLUORESCENT TUBE 8W	Infinity	

W.R.T. - With respect to

**NOTE.** Measurements can only be a guide as to the serviceability of parts. Tolerance of components and internal circuitry must be allowed for.

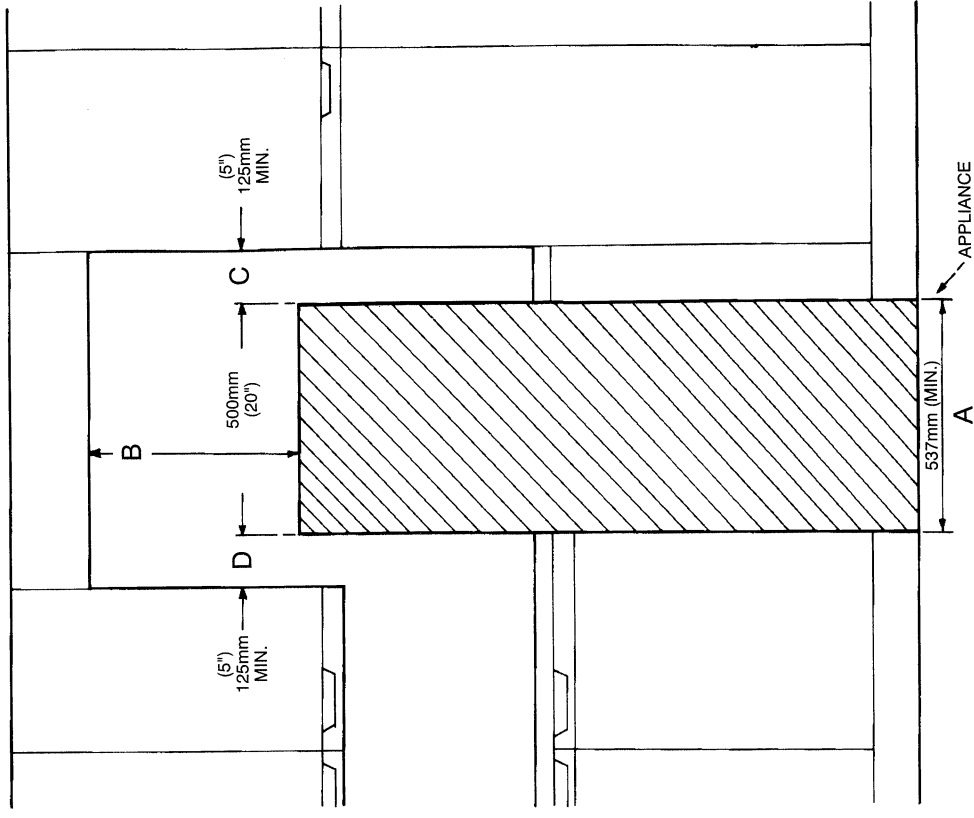
# SPACE FOR FITTING

Your Cannon Winchester Mk 2 may be close fitted below hotplate level, a minimum distance of 537mm (21<sup>3</sup>/<sub>16</sub>" ) is required between cupboards to allow cooker to be carefully slotted into position (Fig. 1 Dimension A)

Cupboards or walls to the side of the cooker must be 125mm (5") away (Fig. 1 Dimension C). Wall cupboards above hotplate level must also be 125mm (5") away as shown (Fig. 1 Dimension D).

Where cupboards or any overhead surfaces are fitted above the cooker allow a clearance of 500mm (20") from the top of the grill to the underside of the overhead surface (Fig. 1 Dimension B).

**Fig. 1**



## UNPACKING AND ASSEMBLY

### UNPACKING THE COOKER

Carefully unpack the components from inside the ovens, check that the following parts are present:

- Grill pan, grid and grill carrier
  - Meat tin
  - Cake tray
  - Oven shelves
  - Pan supports
  - Large enamelled discs
  - Large burner port rings
  - Small enamelled discs
  - Small burner port rings
  - Literature pack
- 1 off
  - 1 off
  - 1 off
  - 4 off
  - 2 off
  - 2 off
  - 2 off
  - 2 off
  - 2 off
  - 1 off
- 3 off (1 extended cranked shelf)

### REMOVING BASE PACKAGING

To remove the corrugated base tray, either break down the sides of the tray, or if necessary carefully cut the tray with a knife down the corners. Remove the polystyrene supports from either side of the cooker and slide cooker off base tray.

### ASSEMBLY OF GRILL UNIT

The Grill assembly is packed on top of the cooker for ease of transportation, it is necessary to assemble grill assembly to the main body of the cooker prior to any installation.

Remove flue cover 2 screws (Fig. 4).

On the vertical supports at the rear of the cooker remove the upper grill support fixing screws (1 each side) and loosen the 2 lower grill support fixing screws (1 each side).

Locate the grill support pillars between vertical supports at the rear of the cooker and slide downwards. Ensuring lower slots are positioned behind screws. (Fig. 2) and secure grill assembly with 1 screw 'A' (left hand side).

Replace and secure upper grill support fixing screws (1 each side) and tighten up lower grill support fixing screws (1 each side).

Replace flue cover (2 screws).

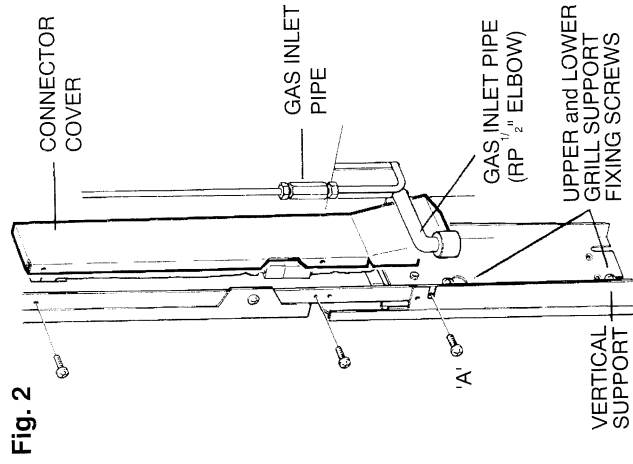
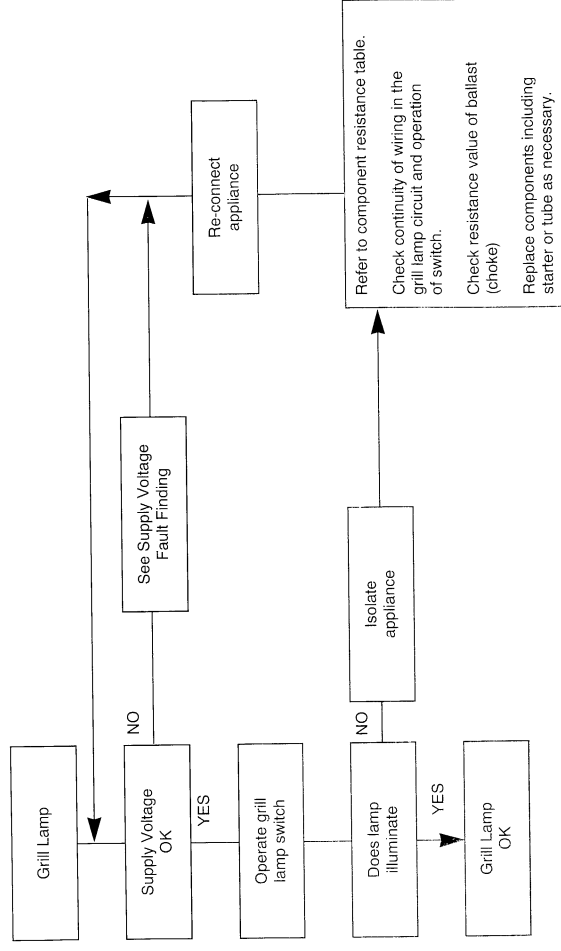


Fig. 2

## FAULT FINDING

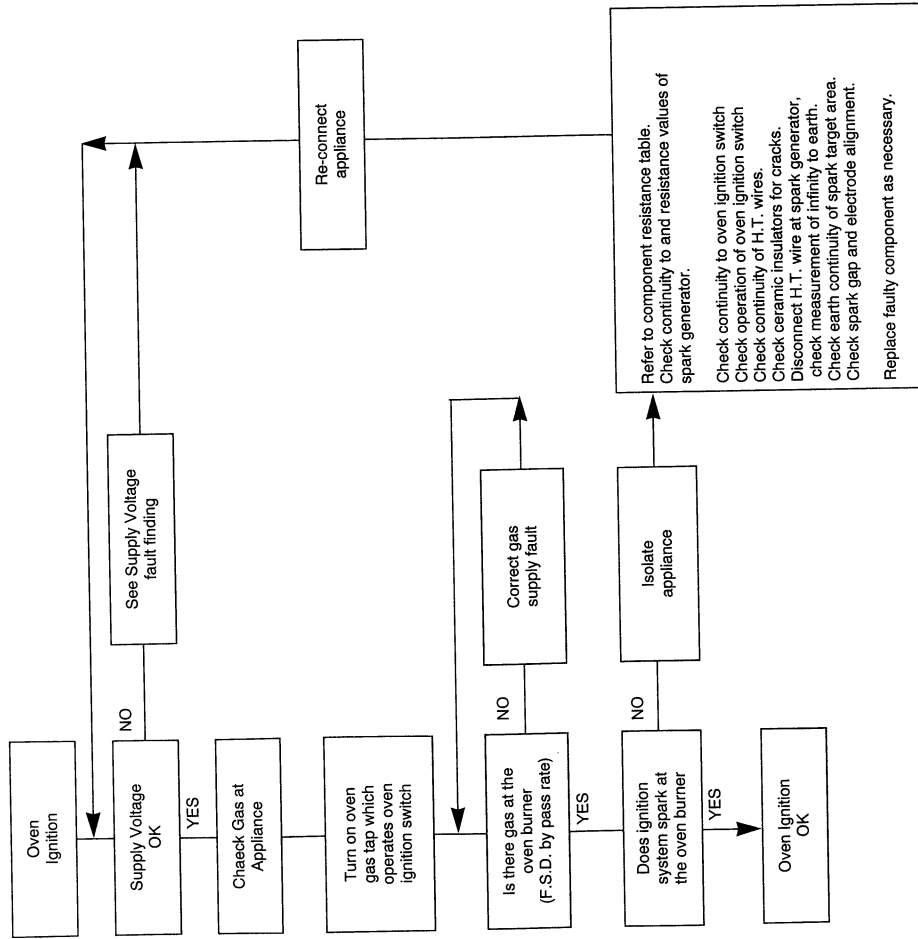
### GRILL LAMP





# FAULT FINDING

## OVEN IGNITION



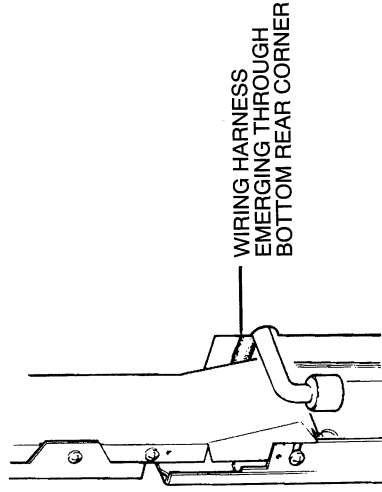
If continual sparking is a problem check that the spark tip is immersed in flame and that the oven or grill connections are not reversed.

# UNPACKING AND ASSEMBLY

Remove connector cover securing screws, tilt cover away from support pillar and remove. (Fig. 2).

Connect upper and lower harness connectors and refit cover, with outer flange on the outside of grill support pillars. (Fig. 3) Ensure that wiring harness emerges through the bottom rear corner of the cover and is not trapped. Also check that the connectors are correctly positioned within the cover.

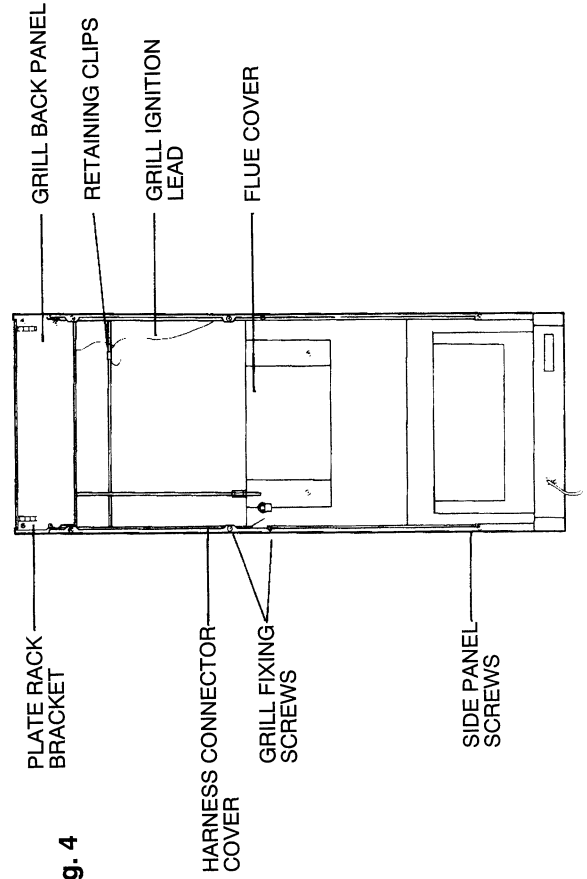
Fig. 3



Connect grill gas supply.

Remove grill back panel (4 screws), connect ignition lead and retain with clips, reassemble in reverse order.

Fig. 4



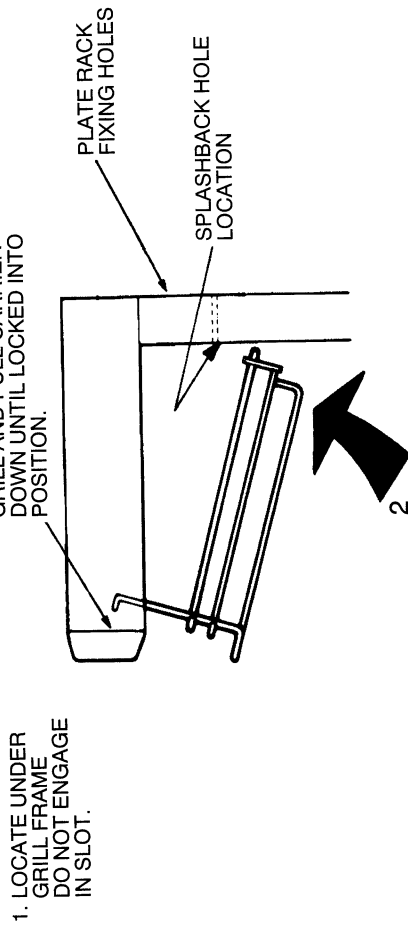
# UNPACKING AND ASSEMBLY

## FIT GRILL CARRIER

Follow instructions and refer to Fig. 5 and 6.

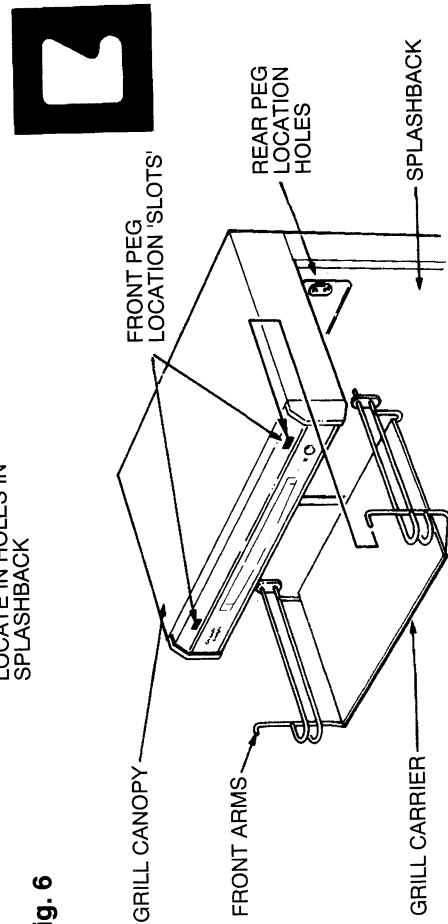
- Carefully locate grill carrier under grill canopy at front. **DO NOT ENGAGE IN SLOT.**
- Support carrier swing upwards at rear and locate in holes in splashback.
- Locate front pegs of grill carrier into slots at front of grill. Carefully pull carrier downwards until locked into position.

**Fig. 5**



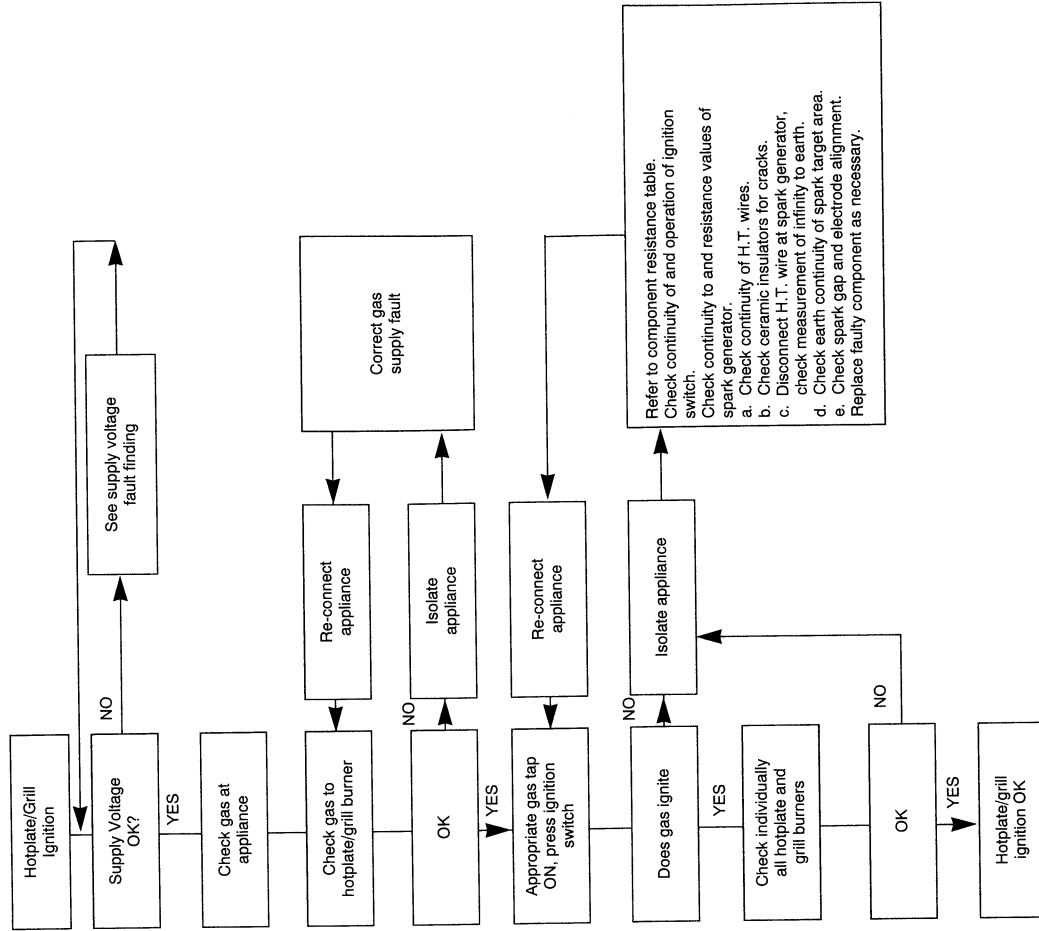
- SWING REAR OF ASSEMBLY UPWARDS AND LOCATE IN HOLES IN SPLASHBACK

**Fig. 6**



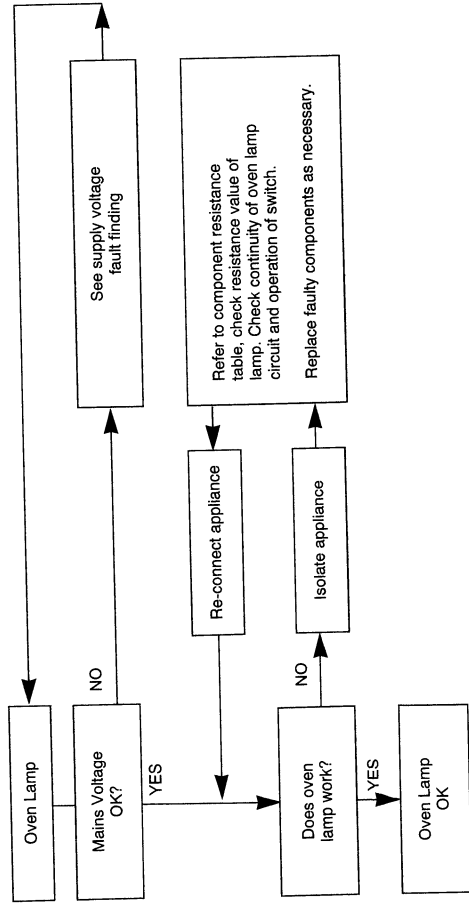
# FAULT FINDING

## HOTPLATE/GRILL IGNITION



# FAULT FINDING

## OVEN LAMP



**NOTE:**  
To gain access to the inside of the lamp holder, remove lens from the top of the oven by carefully pulling it out of the panel. The bulb can then be unscrewed from its socket.

# UNPACKING AND ASSEMBLY

## COOKER MOBILITY

The cooker is fitted with wheels at the rear only, ensure that the support feet have been fitted to the two front corners.

Take the weight off the rear rollers by carefully tilting the cooker forward then, using the two screws "A" (Fig. 7), rotate anti-clockwise to extend the rear wheels for mobility.

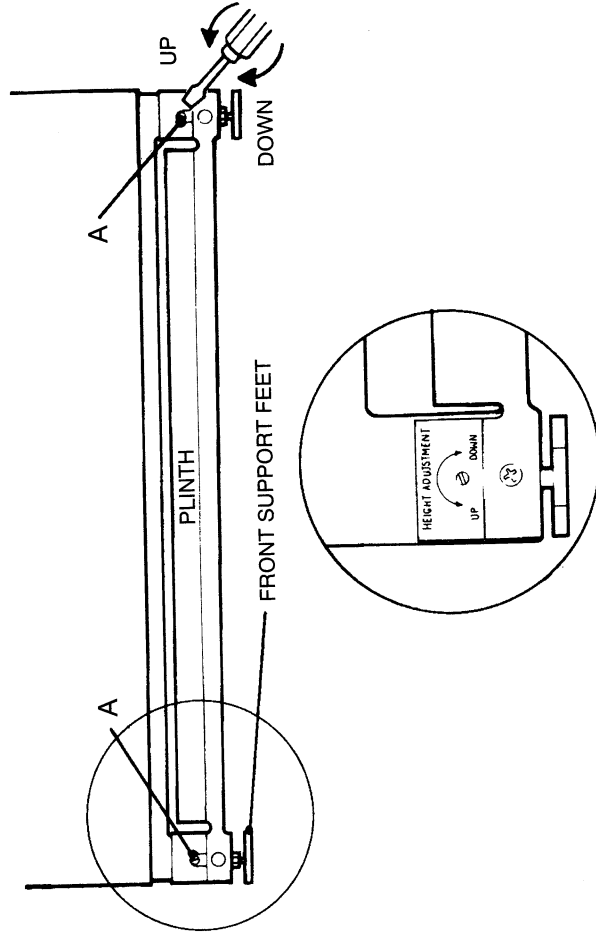
Lift the cooker at the front before moving and roll on rear wheels.

**CAUTION:-** Some soft floor coverings may be damaged if the appliance is not moved carefully.

## LEVELLING THE COOKER

Push the cooker into its working position, level the cooker with a spirit level placed on the oven base positioned side to side, using the adjustable levelling screws 'A' (Fig. 7) to adjust rear wheels.

Fig. 7



Make final adjustments by adjusting the two front support feet, with a spirit level placed on the oven base positioned back to front.

# UNPACKING AND ASSEMBLY

## COOKER STABILITY BRACKET

A stability bracket must be fitted to your appliance. The back of the cooker has been designed to accept a bracket for this purpose. The stability bracket can be obtained, at extra cost from the Appliance supplier and the leaflet included with the bracket should be read in conjunction with the following instructions.

Push the cooker in its intended position.

Draw pencil lines on the floor, one level with the plinth, (Fig. 8) and one along the L.H. side of the cooker.

Remove the cooker.

Mark off dimensions A and B (Fig. 8) to locate centre and front edge of the lower bracket and secure to floor.

Measure height from floor level to the bottom of the slot in the back of the cooker, add 23mm to this dimension and assemble the stability bracket to this height. (i.e. from floor level to the underside of top member (Fig. 9)

Fig. 8

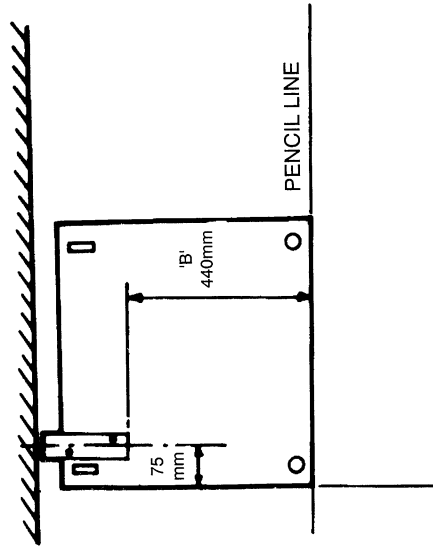
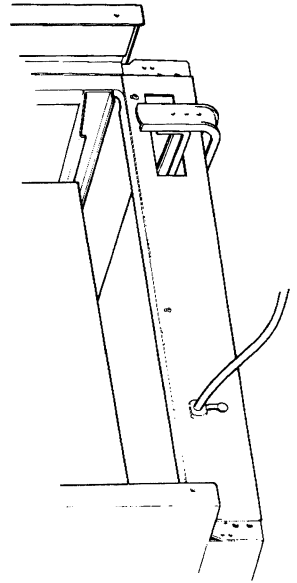
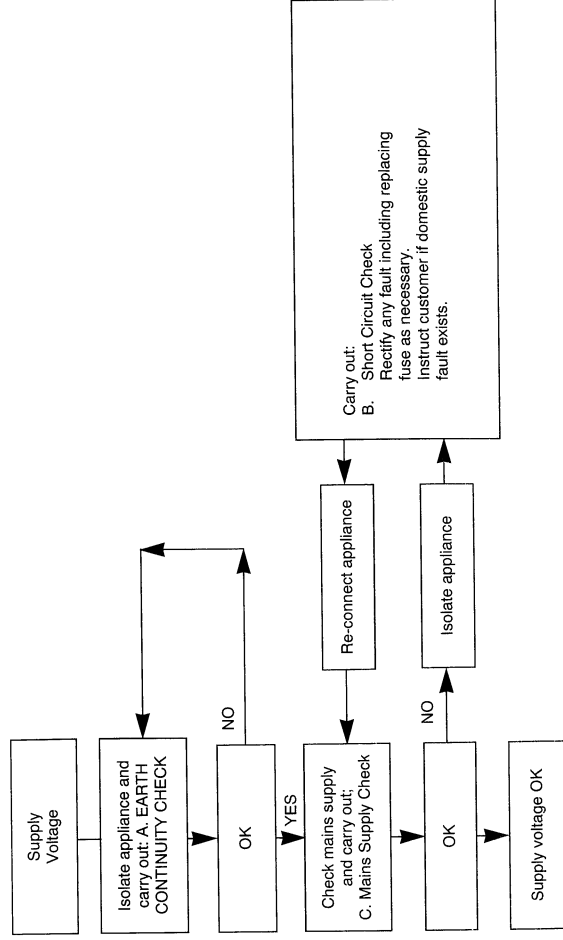


Fig. 9



# FAULT FINDING

## PRELIMINARY ELECTRICAL SYSTEM CHECKS



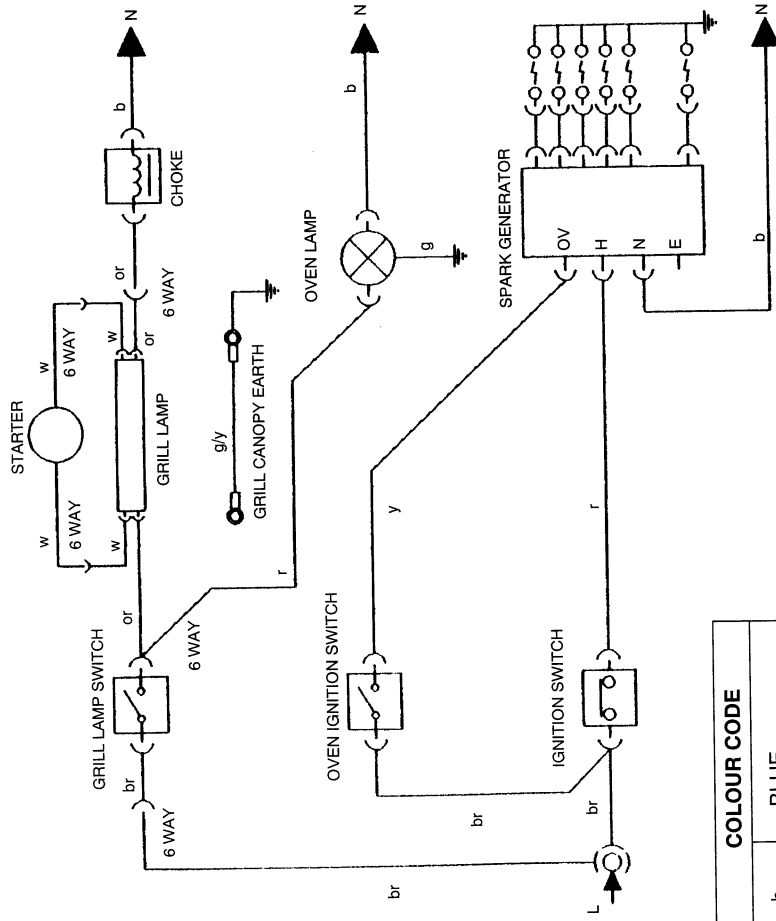
**A. EARTH CONTINUITY CHECK** - appliance must be electrically disconnected - meter set on  $\Omega$ (ohms) x 1 scale and adjust to zero if necessary.  
 a) Test leads from any appliance earth point to earth pin on plug - resistance should be less than 1 $\Omega$  (ohm).  
 If the resistance is greater than 1 $\Omega$  (ohm) check all earth wires for continuity and all contacts clean and tight.  
 If resistance of earth is still greater than 1 $\Omega$  (ohm) then this should be reported to your supervisor.

**B. SHORT CIRCUIT CHECK** - appliance electrically disconnected, all switches ON (including stats) -  
 a) Meter set on  $\Omega$  (ohms) x 1 scale.  
 Test leads from L to N in appliance terminal strip/block - if the meter reads 0 then there is a short circuit.  
 b) Meter is set on  $\Omega$  (ohms) x 100 scale.  
 Repeat test with leads from L to E, if meter reads less than a (infinity) then there is a fault.  
**NOTE** - Should it be found that the fuse has failed but no fault is indicated - a detailed continuity check (i.e. by disconnecting and checking each component) is required to trace the faulty component. It is possible that a fault could occur as a result of local burning/arcing but no fault could be found under the test. However a detailed visual inspection should reveal evidence of burning around the fault.

**C. MAINS SUPPLY CHECK**  
 Connect to 240V ac mains supply.  
 Mains supply is indicated by:-  
 a) Illumination of the grill fascia lamp.  
 b) Illumination of the oven lamp, operated by oven gas tap switch.

**IMPORTANT**  
 This series of checks are the first electrical checks to be carried out during a fault finding procedure. On completion of the service/fault finding task which has required the breaking and remaking of electrical connections then the checks - A. Earth Continuity, C. and B. Short Circuit Check must be repeated.

# CIRCUIT DIAGRAM



COLOUR CODE	
b	BLUE
y	YELLOW
br	BROWN
g/y	GREEN/YELLOW
r	RED
or	ORANGE
w	WHITE
g	GREEN

**WARNING!**  
**DISCONNECT ELECTRICITY**  
**BEFORE REMOVING COVER.**

# GAS CONNECTION

## SITING THE COOKER

This cooker is designed to match the depth of standard 600mm work tops. An adaptor backplate (Fig. 10) should, therefore, be fitted within the shaded area shown in (Fig. 11) to allow the cooker to be pushed fully to the wall.



Fig. 10

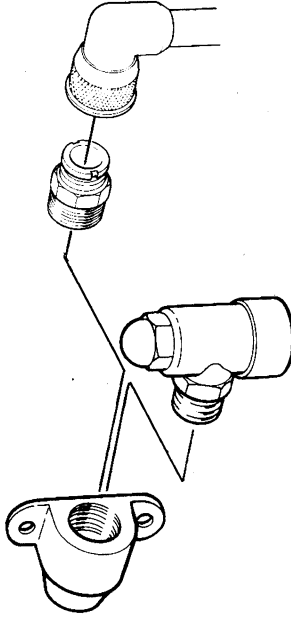
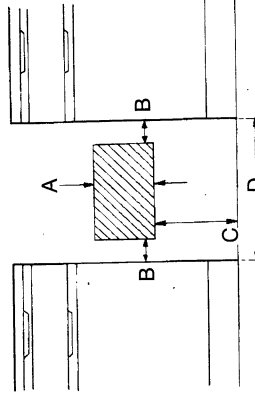


Fig. 11

MAINS INLET CONNECTION ON APPLIANCE



- A = 330mm (13")
- B = 70mm (2 7/8")
- C = 330mm (13")
- D = 537mm (21 3/16")

If a forward facing backplate elbow is used it must be chased into the wall.

## CONNECTING TO GAS SUPPLY

Connection to the appliance should be made with an approved appliance flexible connection to BS669. A length of 900mm is recommended. An Rp 1/2 connector is fitted to the cooker (Fig. 2).

If the position of wall connector is within 250mm of the gas inlet connection on the appliance, the loop of the hose will permit maximum movement of the cooker.

The temperature of areas at the rear of the cooker which are likely to come in contact with the flexible hose do not exceed 70°C.

After installation check for soundness.

Gas pressure can be checked at the grill injector. See Maintenance instructions for removal of grill burner.

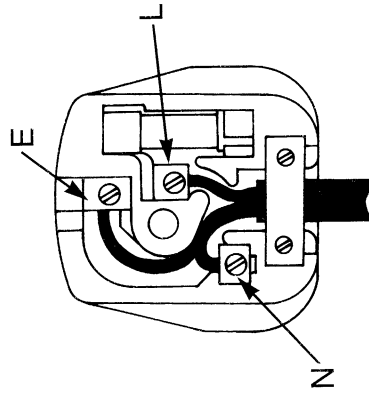
# ELECTRICAL CONNECTION

**WARNING: THIS APPLIANCE MUST BE EARTHED. CONNECT TO A 240 VOLT A.C. SUPPLY ONLY BY A 13A (BS1363) PLUG PROTECTED BY A 3A FUSE.**

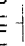
## IMPORTANT

The wires in the mains lead are coloured in accordance with the following code:

- Green and Yellow — Earth
- Blue — Neutral
- Brown — Live



As the colours of the wires in the mains lead of this appliance may not correspond with the coloured markings identifying the terminals in your plug, connect plug as follows:

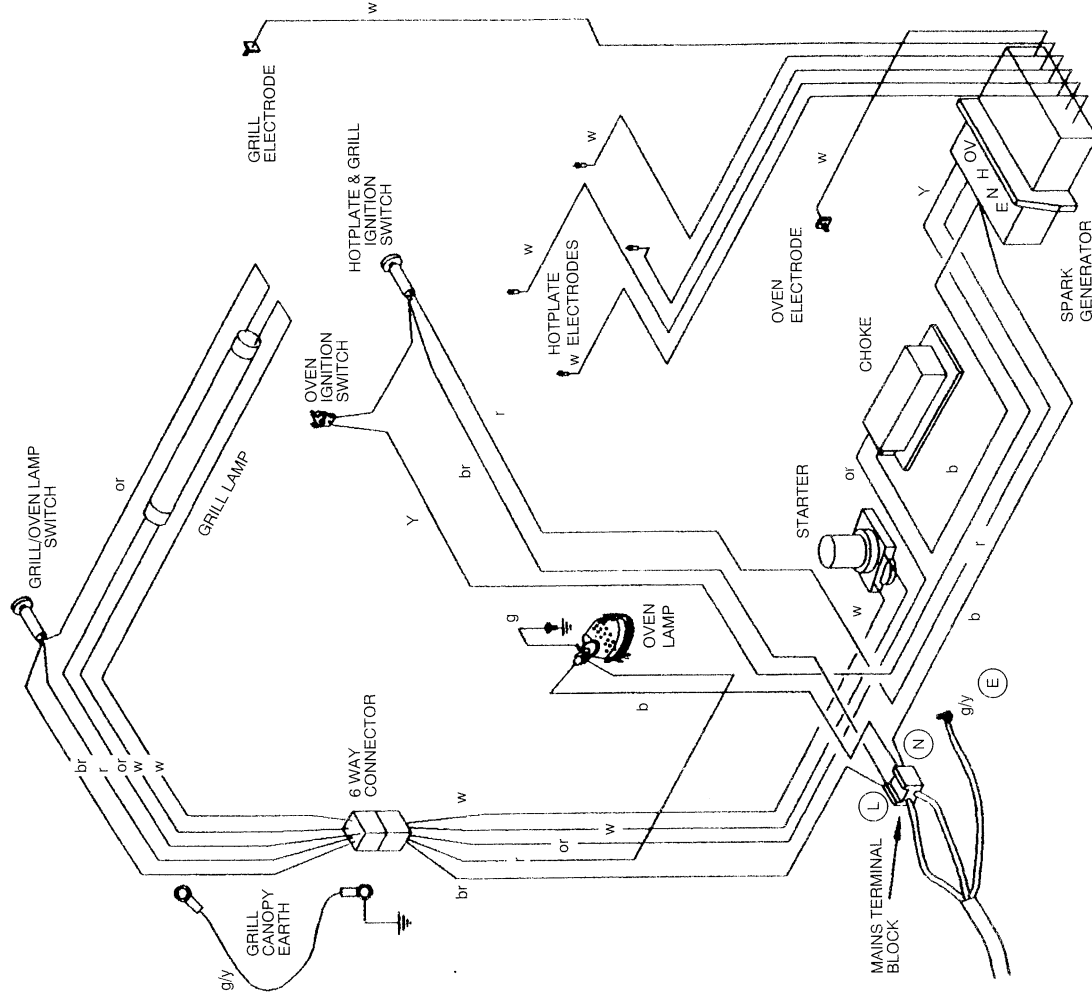
The wire which is coloured green and yellow must be connected to the terminal in the plug which is marked with the letter E or with the earth symbol  or which is coloured green or green and yellow.

The wire which is coloured blue must be connected to the terminal which is marked with the letter N or colour black.

The wire which is coloured brown must be connected to the terminal which is marked with the letter L or coloured Red.

The cooker should now be plugged into preferably an unswitched socket outlet, which is properly connected to the house electricity distribution system and efficiently earthed.

# WIRING DIAGRAM



## INJECTORS AND ELECTRODES

### 29. HOTPLATE BURNER ELECTRODES

1. Remove Hotplate (3)
2. Remove ignition lead from electrode.
3. While lifting the flange of the spring clip away from the burner body slide back the clip.
4. Remove the electrode from underside of the burner body.
5. Re-assemble in reverse order and check for gas soundness.

### 30. GRILL AND OVEN ELECTRODES

NOTE: For electrode spark gap see Technical Data.

#### Grill

1. Follow points 1 to 3. Grill fret (14).
2. Remove 2 electrode fixing screws, pull electrode forward and disconnect lead.
3. Replace in reverse order.

#### Oven

1. Follow points 1 to 4 oven burner (21).
2. Remove 1 electrode fixing screw.
3. Replace in reverse order.

### 31. HEAT CLEAN OVEN LININGS

During the life of the appliance these panels may become badly stained and their cleaning effect lessened. When this occurs the side and roof linings can be replaced and an extra lining can be fitted over the soiled back panel. All of these panels can be obtained from your local supplier.

## COMMISSIONING THE COOKER

Fit grill pan handles to grill pan as shown in Fig 12a. Fit grill pan grid, insert the grill pan in the required position (1 or 2) on the carrier as shown in Fig. 12b.

Ensure that the grill pan is square to the grill pan carrier to allow a smooth operation

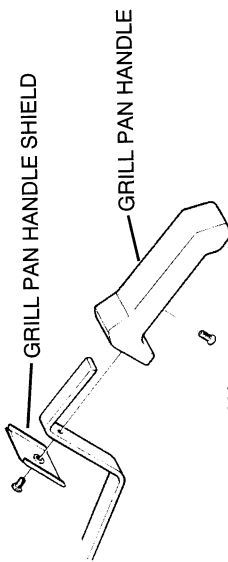
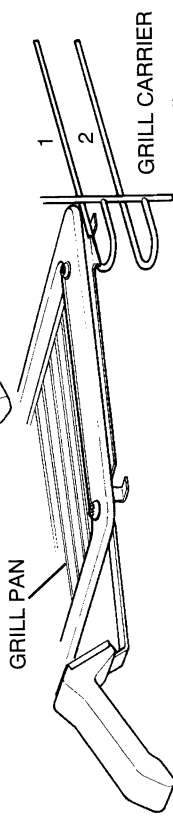


Fig. 12a

Fig. 12b



Fit burner caps ensuring gas way hole clears electrode, and enamelled discs Fig. 12c.

Two semi rapid (small) LH rear and RH front, two rapide (large) RH rear and LH front.

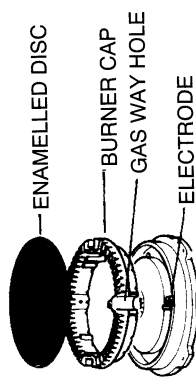


Fig. 12c

### CHECK THE OPERATION OF THE COOKER

Check that the grill, oven and four hotplate electrodes spark correctly.

Turn the hotplate burners on full for one minute, then check for a steady flame when turned down to the smallest flame symbol.

The grill should show no flame lift after initial ignition.

The gas at the oven burner will ignite at a by-pass low rate but within 60 seconds should increase to full flame. The flame is observed with the door open. With the thermostat set to Mark 'E' close the oven door for a short time to check that the flame is reduced.

In the event of an electrical fault after the installation of the appliance, preliminary system checks shall be carried out (i.e. earth continuity, polarity and resistance to earth as described in the multimeter instruction book).

### USER

Instruct the user in the operation of the appliance and hand over the instruction pack.

- CAUTION:-**
- |               |  |
|---------------|--|
| <b>BEFORE</b> | carrying out maintenance remove plug or disconnect mains electricity.                      |
| <b>BEFORE</b> | servicing any gas carrying component, disconnect the gas supply to the appliance.          |
| <b>AFTER</b>  | maintenance or disconnection of gas carrying components <b>ALWAYS</b> check for soundness. |

If pipe joints within the appliance are disturbed during maintenance **NO JOINTING COMPOUND OR PTFE TAPE** should be used as it may affect the appliance earthing.

If any of the Oven insulation is touched or disturbed wash hands thoroughly.

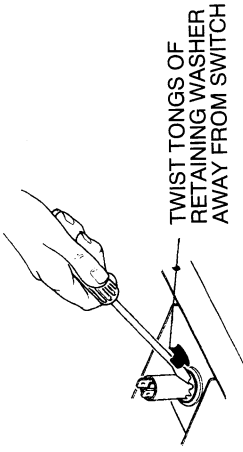
**PLEASE NOTE:-** Left and right handed components are those components that are on the left or right when the appliance is viewed from the front.

## 1. SIDE PANELS

- Open storage drawer.
- Remove one front, one side, one rear screw.
- Ease side panel from base and lower.
- Re-assemble in reverse order ensuring side panel lips under edge of hotplate.

## 2. HOTPLATE FASCIA PANEL

- Carefully pull off control knobs, bezels and springs.
- Remove 2 screws and washers 'A' located under fascia. Fig. 13a.
- Remove fascia by pulling forwards and upwards.
- Disconnect wires from rear of switch.
- To remove switch, carefully remove retaining washer (see Fig. 13a for method) with a small screwdriver from rear of switch. Remove gasket and push out switch from back.
- Fit switch to new fascia ensuring gasket is repositioned under new washer.
- Re-assemble in reverse order ensuring that the tongs on the top rear of the fascia locate under hotplate.

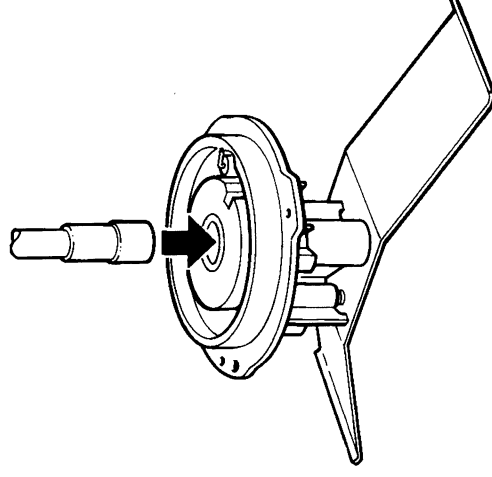


**Fig. 13a**

## 27. HOTPLATE BURNER INJECTORS

- Remove pan supports, discs and burner ring.
- With a 7mm hexagonal ended box spanner remove the injector located down the centre of burner body (Fig. 21). Ensure the new injector is the correct jet size. (See Appliance Data).
- Re-assemble in reverse order.

**Fig. 21**



## 28. GRILL AND OVEN INJECTORS

**NOTE:** A new sealing washer should be used whenever an injector is removed.

### Grill

- Remove Grill Burner (15).
- Remove injector and sealing washer.
- Replace in reverse order.

### Oven

- Follow points 1 to 5 Oven Burner (21).
- Remove injector and sealing washer.
- Replace in reverse order.



## ELECTRICAL

THE ELECTRICS TRAY IS LOCATED BEHIND THE REMOVABLE STORAGE DRAWER. SEE FIG. BELOW.

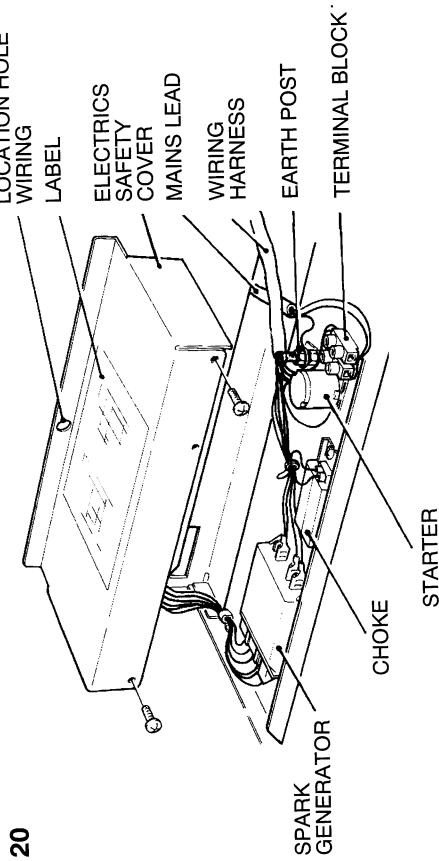


Fig. 20

### 23. SPARK GENERATOR

1. Slide out storage drawer, lift and remove.
2. Remove 2 screws securing electrics safety cover.
3. Remove leads from spark generator.
4. Remove spark generator (2 screws).
5. Replace in reverse order, and re-connect in accordance with wiring diagram.

### 24. CHOKE

1. Follow points 1 and 2 as Spark Generator (23).
2. Remove choke 2 screws.
3. Cut both leads to the choke (as near to the choke as possible).
4. Remove 5mm of insulation from the ends of the cut leads and push the wires into the terminals on the replacement choke.
5. Replace in reverse order.

### 25. STARTER

1. Follow points 1 and 2 as Spark Generator (23).
2. Turn starter anti-clockwise and remove.
3. Replace in reverse order.

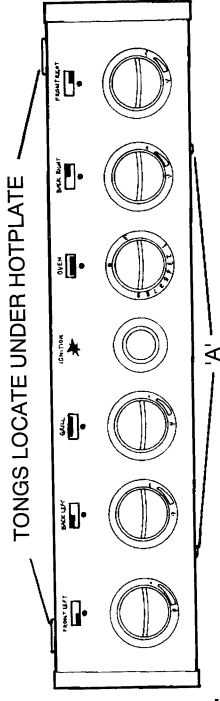
### 26. OVEN LAMP (Bulb replacement)

1. Unclip lens by pulling and tilting slightly.
2. Unscrew bulb.
3. Fit new bulb and replace lens.

NOTE: Replacement bulb must be rated for 300°C.

## HOTPLATE AND CONTROLS

Fig. 13b



### 3. HOTPLATE

NOTE: The hotplate when released will spring upwards due to the design of the burner mounting.

1. Remove pan supports, enamelled burner discs and burner port rings.
2. Remove hotplate fascia panel (2).
3. Whilst firmly holding down the front of the hotplate remove 2 screws securing the front edge. (located beneath the front lip of hotplate) CAREFULLY release and let the hotplate rise upwards.
4. Lift the front of the hotplate and slide forward the rear to clear the rear mounting brackets.

### TO RE-ASSEMBLE

5. Locate the 2 underside hotplate tongs into the slots on the bracket located at the rear of the cooker frame.
6. Place the hotplate over the burner bodies ensuring that the electrodes are not fouled by the hotplate. Ensure that the hotplate sides are located over the side panels. Apply downward pressure to the front of the hotplate.
7. Whilst maintaining downward pressure on the front edge of the hotplate replace the 2 front fixing screws.
8. Replace the hotplate fascia.
9. Replace burner port rings, enamelled discs and pan supports.

### 4. GRILL AND HOTPLATE TAPS

1. Remove hotplate (3).
2. Remove front plate (2 screws).
3. Disconnect tube nut from tap.
4. Remove tap from gas rail, 2 screws.
5. Fit new tap and re-assemble in reverse order ensuring 'O' ring seal is correctly fitted.

### 5. THERMOSTAT

1. Remove hotplate (3).
  2. Remove front plate (2 screws), and remove switch from spindle.
  3. Disconnect tube nut from thermostat.
  4. Remove R.H. side panel (1).
- Remove phial from clips in oven and withdraw carefully through hole in oven side.
- Remove thermostat from gas rail, 2 screws.
- Re-assemble in reverse order ensuring 'O' ring seal is correctly fitted.

## HOTPLATE FASCIA SWITCHES

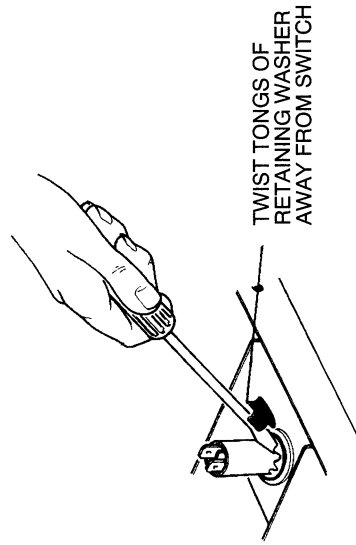
### 6. THERMOSTAT BY-PASS SCREW

1. Remove hotplate (3).
2. Remove front plate (2 screws).
3. Remove by-pass screw located on right hand side of thermostat body.
4. Replace screw and washer.

### 7. IGNITION SWITCH

1. Follow points 1 to 4 HOTPLATE FASCIA PANEL (2).
2. The switch is 'snap' fitted to the fascia panel and secured with a gasket and retaining washer.
3. Remove retaining washer, breaking if necessary, (Fig. 13c) with a small screwdriver from rear of switch, remove gasket and push out switch from panel.
4. Fit new switch and retaining washer and re-assemble in reverse order. Ensure gasket is repositioned under washer (if retaining washer is damaged during removal, replace).

Fig. 13c



### 8. OVEN LIGHT/THERMOSTAT SWITCH

1. Remove fascia panel (2).
2. Remove front plate (2 screws).
3. Slide switch off spindle and disconnect leads.
4. Reassemble in reverse order.

### 8A. HOTPLATE BURNER BODY

1. Remove Hotplate (3).
2. Disconnect the electrode lead.
3. Unscrew the hexagonal nut securing the Bundy supply pipe to the burner body.
4. Re-assemble in reverse order ensuring the Bundy supply pipe nut is gas tight with the burner body and that the gasket is replaced. Check for gas soundness.

## OVEN BURNER AND F.S.D.

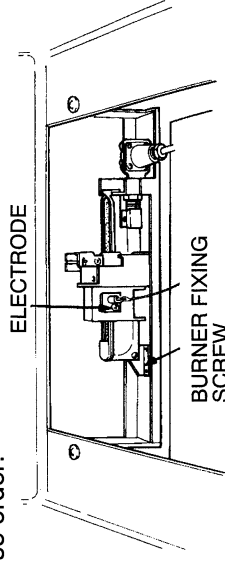
### 20. OVEN DOOR SEAL

1. Release the seal by stretching at the lower 2 corners and un-hook from the flange.
2. Re-assemble in reverse order.

### 21. OVEN BURNER

1. Remove oven door. (17)
2. Remove oven shelves.
3. Remove lower part of oven door seal.
4. Remove oven base panel, unscrew utensil stop at rear of panel and slide forward. (It may also be necessary to slacken heatclean lining fixing screws).
5. Disconnect ignition lead.
6. Remove forward facing burner fixing screw.
7. Allow burner to fall out of place and withdraw from injector.
8. Remove electrode - one screw, and transfer to new burner if applicable.
9. Re-assemble in reverse order.

Fig. 17



### 22. F.S.D. (Fig. 18)

1. Follow points 1 to 4. Oven Burner (21).
2. Disconnect electrode lead and uncouple supply tube union from F.S.D.
3. Remove burner assembly complete. 2 vertical screws and washers at rear.
4. Release forward facing screw and swing F.S.D. phial catch to the right to release phial.  
On Teddington F.S.D. CLH 600N a clip is used to secure Ferrule on capillary end of F.S.D. phial to oven burner bracket (Fig. 19). In this case ease top clip upwards and slide phial rearwards to remove.
5. Remove burner from bracket.
6. Remove locknut from F.S.D. injector adaptor and remove F.S.D.
7. Remove adaptor from F.S.D.
8. Re-assemble in reverse order.

Fig. 18

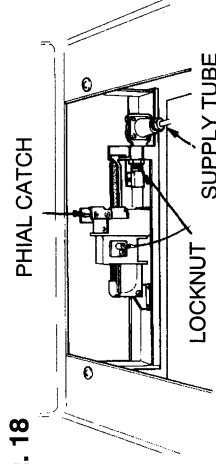
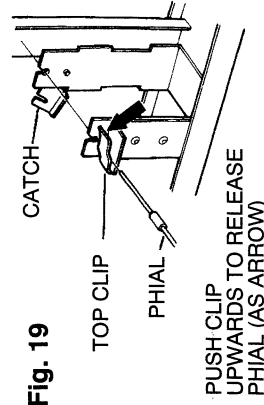


Fig. 19



## OVEN DOOR

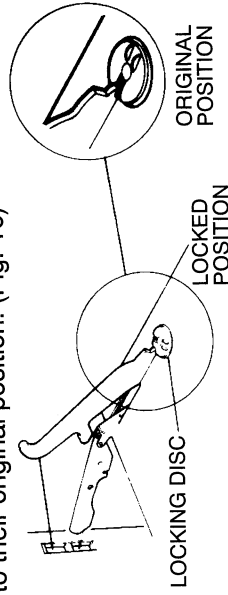
### 17. OVEN DOOR

1. Open the door.
2. Using a two pence coin, turn the locking discs one at each side of the door.
3. Turn the LH locking disc a quarter of a turn (ANTI-CLOCKWISE) and the RH locking disc a quarter of a turn (CLOCKWISE). (Fig. 16).
4. Tilt the door upwards and lift off at the hinges.

To Replace the Door:

1. With the door slightly tilted, support the lower arm of the hinge and place both hinge arms into the opening. Lower the door into the open position.
2. Turn the discs back to their original position. (Fig. 16)

Fig. 16



### 18. INNER DOOR GLASS

1. Open oven door and remove upper and lower glass retaining clamps (4 screws).
2. Remove rubber seal and glass.
3. Remove seal from glass and refit to new glass (Fig. 16a)
4. Refit glass, pressing seal firmly into recess.
5. Refit retaining clamps (4 screws).

**NOTE:** Ensure that the printing near the edge of the glass is readable, viewed when the oven door is open. This will ensure that the glass is the correct way round. (Fig. 16a).

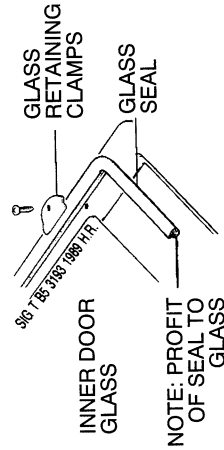


Fig. 16a

### 19. OVEN DOOR HANDLE AND OUTER DOOR GLASS

1. Open oven door.
2. Whilst supporting the door handle and door outer glass remove the top two screws and washers.
3. Remove the oven door handle.
4. Slide the oven door glass forward out of the bottom door glass retaining trim.
5. Re-assemble in reverse order.

## GRILL CARRIER

### 9. GRILL CARRIER

#### TO REMOVE CARRIER

1. Support the carrier and slightly squeeze both front arms together.
2. Lift carrier at front and release from front location slot.
3. Release from rear peg location holes in splashback by pulling carrier forward slightly.

#### TO REPLACE CARRIER

Follow instructions and refer to Fig. 14 and 15.

1. Carefully locate grill carrier under grill canopy at front. **DO NOT ENGAGE IN SLOT.**
2. Support carrier swing upwards at rear and locate in holes in splashback.
3. Locate front pegs of grill carrier into slots at front of grill. Carefully pull carrier downwards until locked into position.

Fig. 14

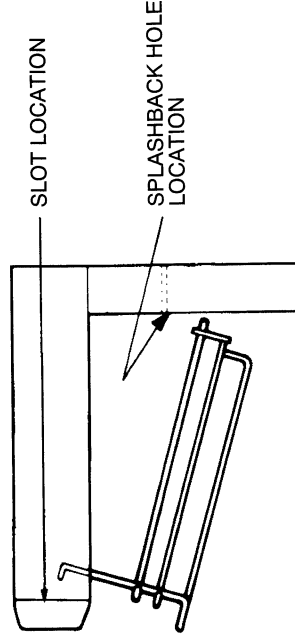
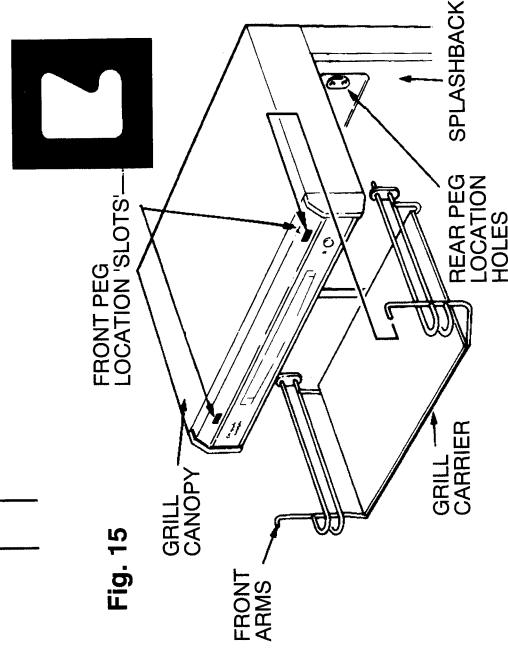


Fig. 15



1. LOCATE UNDER GRILL FRAME DO NOT ENGAGE IN SLOT.
2. SWING REAR OF ASSY UPWARDS AND LOCATE IN HOLES IN SPLASHBACK
3. LOCATE FRONT PEGS OF GRILL CARRIER INTO SLOTS AT FRONT OF GRILL AND PULL CARRIER DOWN UNTIL LOCKED INTO POSITION.

## 10. GRILL FASCIA BOX

1. Remove grill back panel (4 screws).
2. Remove right and left hand side panels (2 screws each side). Pull bottom edge of side panels outwards and lift off.
3. Lift off grill top canopy.
4. Remove 2 screws from the tags on the underside of fascia and top 2 screws securing light box to grill frame, lift fascia and release from mounting hooks.
5. Remove fascia box from back panel, (2 screws) located in the lower corners of back panel, disconnecting earth lead at the same time.
6. Unclip fluorescent tube and remove back panel, disconnect wires to light switch.
7. Re-assemble in reverse order and reconnect in accordance with wiring diagram. Ensure fluorescent tube is central in locating clips.

## 11. FASCIA AND ILLUMINATION GLASS REPLACEMENT

1. Follow points 1-6 Grill fascia box (10).
2. Remove either end cap by removing one internal screw.
3. Partially spread the assembly and carefully withdraw glass.
4. For illumination glass only, remove one external centre screw and slide glass out.  
Re-assemble in reverse order. If new fascia glass is fitted transfer switch to new glass, see Grill Light Switch (13).  
ensure fluorescent tube is central in retaining clips.

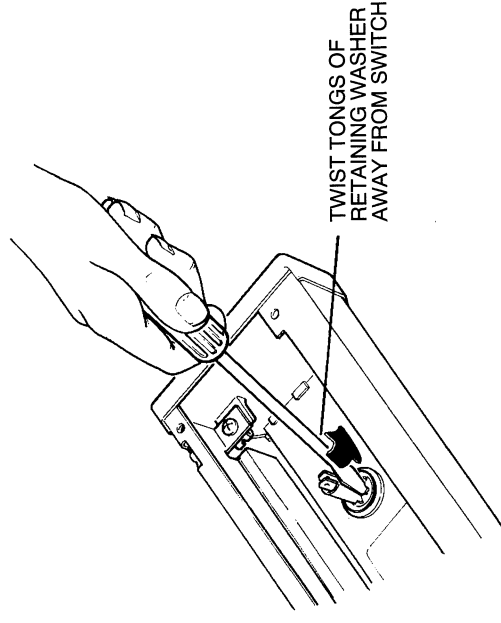
## 12. FLUORESCENT TUBE REPLACEMENT

1. Follow points 1-5 Grill Fascia Box (10).
2. Pull off the 4 cable connectors.
3. Fit new tube and re-connect in accordance with wiring diagram.  
Ensure fluorescent tube is central in retaining clips.

## 13. GRILL LIGHT SWITCH

1. Follow points 1-6 Grill Fascia Box (10).
2. Pull off cable connections.
3. Carefully ease retaining washer preferably with a small screwdriver from rear of switch and remove switch. (Fig. 15a).
4. Replace switch ensuring protective gasket is correctly positioned under retaining washer and reconnect in accordance with wiring diagram. (If washer is damaged during removal, replace).
5. Replace grill fascia box assembly and other components etc. in reverse order. Ensure fluorescent tube is central in retaining clips.

Fig 15a



## 14. GRILL FRET

1. Follow points 1—2 Grill Fascia Box (10).
2. Lift off grill top cover.
3. Remove 2 fret support side screws and lift out fret assembly, note: an earth wire is attached to the right hand screw.
4. Remove fret sub-assembly from supports (4 screws).
5. Fit new fret sub-assembly to supports.
6. Re-assembly in reverse order ensuring that rear edge of fret assembly is above burner.

## 15. GRILL BURNER

1. Follow points 1-3 Grill Fret (14).
2. Support burner and remove 2 fixing screws from L.H. side.
3. Tilt burner upwards and pull away from injector.
4. Disconnect electrode lead.
5. Re-assemble in reverse order. If new burner is fitted transfer electrode from old burner to new.

## 16. SPLASHBACK AND SIDE PILLARS

1. Follow points 1 - 5 Hotplate (3).
2. Follow points 1 - 4 Grill Carrier (9).
3. With cooker pulled forward remove 4 rear screws and remove side pillars.
4. Remove 4 side screws and clips.
5. Tilt top of splashplate forward and lift away.
6. Re-assemble in reverse order.